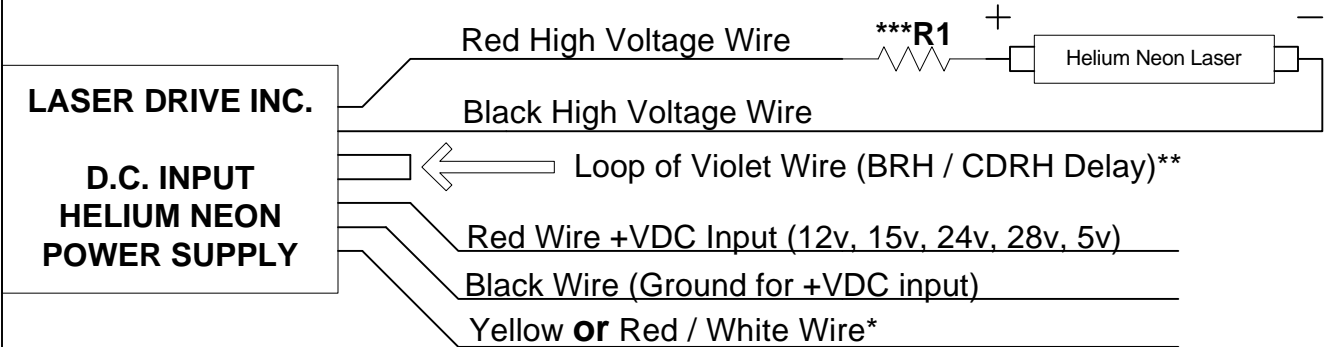


# Laser Drive Inc.

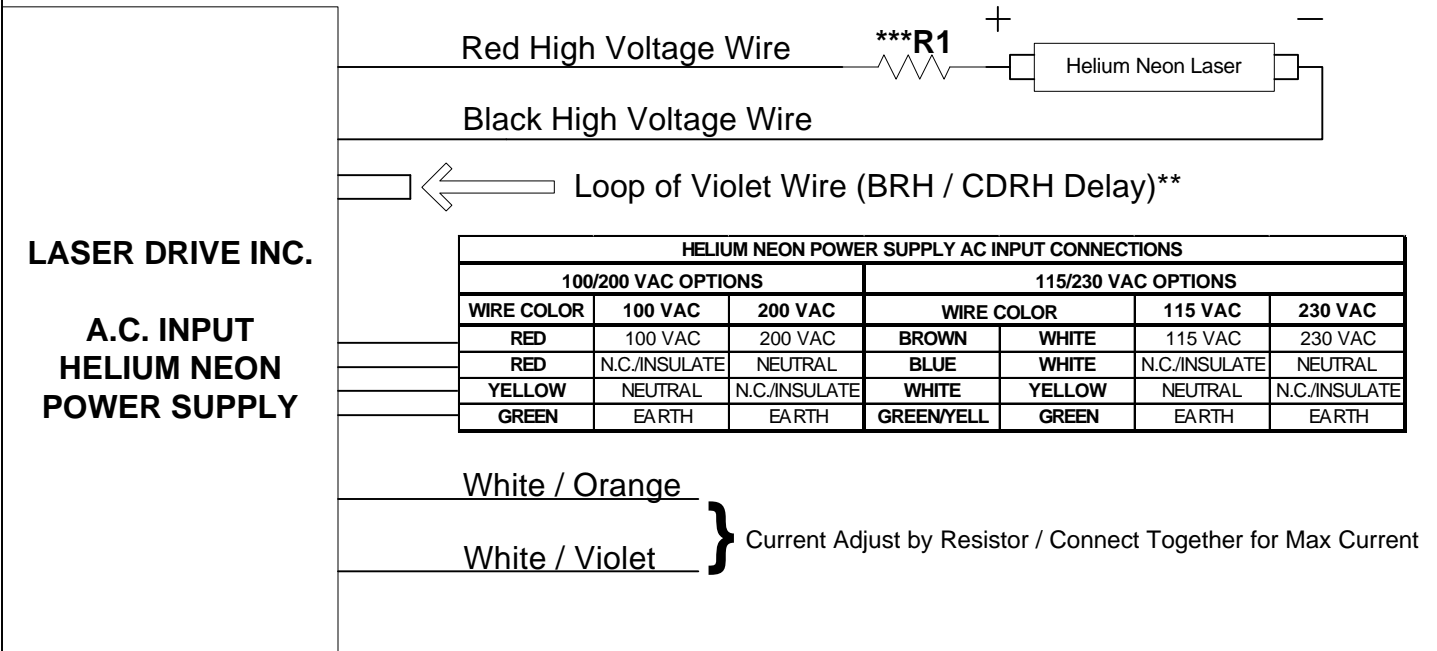
## Helium Neon Laser Power Supply - General Connections



\*Yellow - TTL Disable Input (tie to black wire for laser-on)  
 Red / White - TTL Enable Input (tie to +5vdc [only] for laser-on)

\*\*BRH / CDRH is a 5 second laser-on delay  
 Cutting this loop allows instant laser-on

**\*\*\*R1 is a Required Ballast Resistor and Must be located within 2 inches of the Anode**



For more information, contact Laser Drive Inc.  
 Phone (724) 443-7688  
 E-Mail: sales@laserdrive.com